

Sensor-switched LED floodlight

# XLED home 2 S

white  
EAN 4007841 033088  
Article number 033088



LED

3000 K



infrared sensor  
180°



max. 10 m



IP44



180° horizontal,  
180° vertikal



180° horizontal, 90°  
vertical



Light source not  
exchangeable



Control gear not  
exchangeable



2 - 2000 lux

## Function description

Top seller. Now even better. XLED home 2 S sensor-switched outdoor floodlight for even more safety and security. Fully swivelling LED panel in classy stainless-steel look. For the most exacting of demands on design and maximum lighting convenience. 1550 lm at a power consumption of only 13,7 W. Swivelling precision IR sensor (horizontally: 180°, vertically: 90°). 180° angle of coverage, 10 m reach, 3000 K. High thermal conductivity magnesium composite cooling system (HCMC).

## Technical specifications

Dimensions (L x W x H)	161 x 180 x 218 mm	Mechanical scalability	No
With lamp	Yes, STEINEL LED system	Reach, radial	r = 5 m (39 m <sup>2</sup> )
With motion detector	Yes	Reach, tangential	r = 10 m (157 m <sup>2</sup> )
Manufacturer's Warranty	5 years	Photo-cell controller	Yes
Settings via	Potentiometers	Luminous flux total product	1550 lm
Version	white	Total product efficiency	113 lm/W
PU1, EAN	4007841033088	Colour temperature	3000 K
Application, place	Outdoors	Colour variation LED	SDCM3
Application, room	outdoors, all round the building, terrace / balcony, courtyard & driveway	Lamp	LED cannot be replaced
Colour	white	LED life expectancy (max. °C)	50000 h
Includes corner wall mount	No	Service life LED L70B50 (25°)	> 60000 h
Installation site	wall, corner	Drop in luminous flux in accordance with LM80	L70B10
Installation	Surface wiring, corner, Wall	LED cooling system	HCMC (High Conductive Magnesium Composite)
Impact resistance	IK03	Soft light start	No
IP-rating	IP44	Time setting	8 s – 35 Min.

<https://www.steinell.de>

Subject to technical modifications

12.2024 Page 1 from 3

Sensor-switched LED floodlight

# XLED home 2 S

white  
EAN 4007841 033088  
Article number 033088



## Technical specifications

Protection class	II	Basic light level function	No
Ambient temperature	from -20 up to 40 °C	Main light adjustable	No
Housing material	HCMC	Twilight setting TEACH	No
Cover material	Plastic, opal	Interconnection	No
Mains power supply	220 – 240 V / 50 – 60 Hz	Output	13,7 W
Mounting height max.	4,00 m	Colour Rendering Index CRI	= 82
Sneak-by guard	Yes	Optimum mounting height	2 m
Capability of masking out individual segments	Yes	Detection angle	180 °
Electronic scalability	No	Product category	Sensor-switched LED floodlight

## Accessories

EAN 4007841 055615

Corner wall mount XLED home 2/ PRO 240

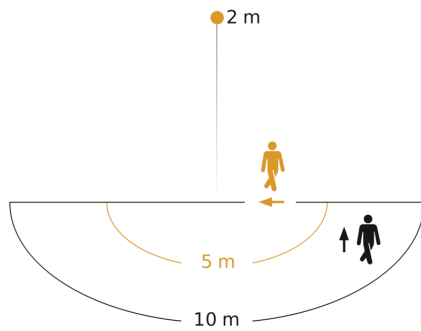
Sensor-switched LED floodlight

# XLED home 2 S

white  
EAN 4007841 033088  
Article number 033088

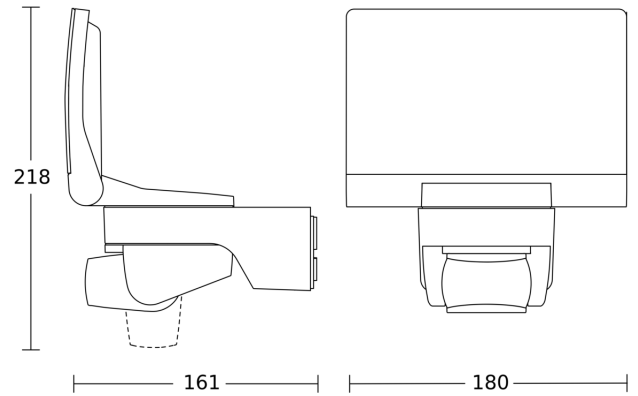


## Detection Zone

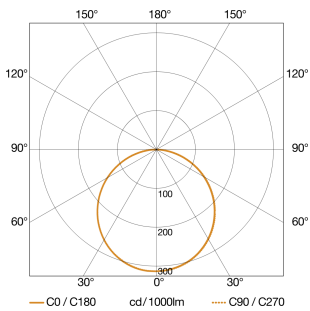


Possible mounting height: 1,80 m - 4,00 m  
Orange: radial  
Black: tangential

## Dimension Drawing



## Light Distribution Curve



Output	13,7 W
With lamp	Yes, STEINEL LED system
Lamp	LED cannot be replaced
Colour temperature	3000 K
Colour Rendering Index	80-89
LED life expectancy (max. °C)	50000 h
LED cooling system	HCMC (High Conductive Magnesium Composite)

## Circuit diagram

