

Sensor-switched LED floodlight

LS 150 S

white
EAN 4007841 052553
Article number 052553



LED

30 years (0 4,5h / day)

4000 K

4000K neutral white



infrared sensor
240°



max. 10 m



IP44



2 - 1000 lux



10 sec - 15 min



Light source not
exchangeable



Control gear not
exchangeable



energy saving

Function description

Extremely bright, robust and vigilant: the LS 150 S sensor-switched floodlight. On-demand light for illuminating large areas around buildings. Infrared sensor with 240° angle of coverage and 12 m reach. Light output 1486 lm, colour temperature 4000 K, power consumption 14,7 W. Robust aluminium floodlight head. Available in black or white.

Technical specifications

Dimensions (L x W x H)	176 x 155 x 210 mm	Sneak-by guard	Yes
With lamp	Yes, STEINEL LED system	Reach, tangential	r = 12 m (302 m ²)
With motion detector	Yes	Cover material	shrouds
Manufacturer's Warranty	3 years	Luminous flux total product	1375 lm
Settings via	Potentiometers	Measured luminous flux (360°)	1486 lm
Version	white	Total product efficiency	94 lm/W
PU1, EAN	4007841052553	Colour temperature	4000 K
Application, place	Outdoors	Colour variation LED	SDCM3
Application, room	outdoors, all round the building, courtyard & driveway	Lamp	LED cannot be replaced
Colour	white	LED life expectancy (max. °C)	50000 h
Includes corner wall mount	No	Service life LED L70B50 (25°)	> 36000 h
Installation site	wall, corner	Soft light start	No
Installation	Wall, corner, Surface wiring	Twilight setting	2 – 1000 lx
Impact resistance	IK03	Time setting	10 s – 15 Min.
IP-rating	IP44	Main light adjustable	No
Protection class	I	Interconnection	No
		Output	14,7 W

Sensor-switched LED floodlight

LS 150 S

white
EAN 4007841 052553
Article number 052553



Technical specifications

Ambient temperature	from -10 up to 30 °C	Colour Rendering Index CRI	= 80
Housing material	Aluminium	Optimum mounting height	2 m
Cover material	Glass transparent	Detection angle	240 °
Mains power supply	220 – 240 V / 50 – 60 Hz	Product category	Sensor-switched LED floodlight
Mounting height max.	4,00 m		

Accessories

EAN 4007841 630669

Corner wall mount for LS 150 S

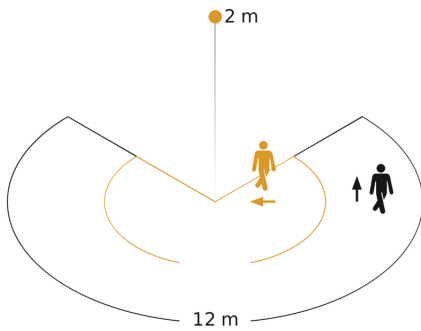
Sensor-switched LED floodlight

LS 150 S

white
EAN 4007841 052553
Article number 052553

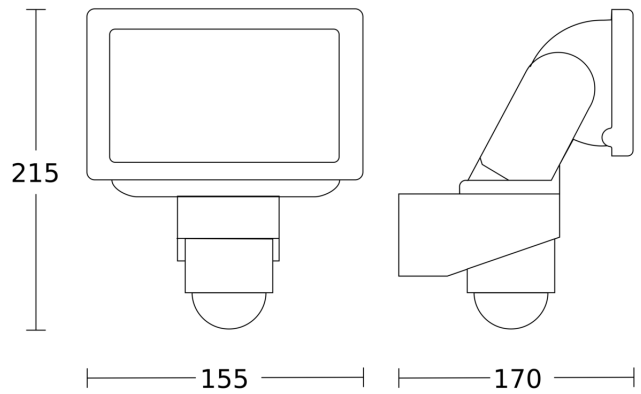


Detection Zone



Possible mounting height: 1,80 m - 4,00 m
Orange: radial
Black: tangential

Dimension Drawing



Circuit diagram

