

Motion detector - Professional Line

IS 2360 ECO 7m

white
EAN 4007841 006556
Article number 006556



infrared sensor 360°



max. 7 m

2000 W

max. 2000 W



IP54



2 - 2000 lux



8 sec - 35 min



energy saving

5 years

manufacturer's warranty steinel-professional.de/garantie



CE

Function description

Elegant. Compact. Inconspicuous. IS 2360 ECO precision infrared surface-mounted sensor. Ideal for porches and small rooms. 360° angle of coverage, 160° angle of aperture and 7 m reach. Passive infrared sensor technology. Easy to install. Finish colour: white.

Technical specifications

| | | | |
|----------------------------|---|---|--------------------------------|
| Dimensions (Ø x H) | 115 x 51 mm | LED lamps > 8 W | 350 W |
| Manufacturer's Warranty | 5 years | Capacitive load in µF | 132 µF |
| Settings via | Potentiometers | Technology, sensors | passive infrared, Light sensor |
| With remote control | No | Mounting height | 2,00 – 4,00 m |
| Version | white | Mounting height max. | 4,00 m |
| PU1, EAN | 4007841006556 | Optimum mounting height | 2,8 m |
| Type | Motion detectors | Detection angle | 360 ° |
| Application, place | Outdoors, Indoors | Angle of aperture | 180 ° |
| Application, room | corridor / aisle, changing room, function room / ancillary room, kitchenette, stairwell, WC / washroom, multi-storey / underground car park, outdoors, warehouse, Indoors | Sneak-by guard | Yes |
| Colour | white | Capability of masking out individual segments | Yes |
| Colour, RAL | 9010 | Electronic scalability | No |
| Includes corner wall mount | No | Mechanical scalability | No |
| Installation site | ceiling | Reach, radial | Ø 3 m (7 m ²) |
| Installation | Surface wiring, Ceiling | Reach, tangential | Ø 7 m (38 m ²) |
| | | Switching zones | 664 switching zones |
| | | Twilight setting | 2 – 2000 lx |
| | | Time setting | 8 s – 35 Min. |

<https://www.steinel.de>

Subject to technical modifications

01.2025 Page 1 from 3

IS 2360 ECO 7m

white
 EAN 4007841 006556
 Article number 006556



Technical specifications

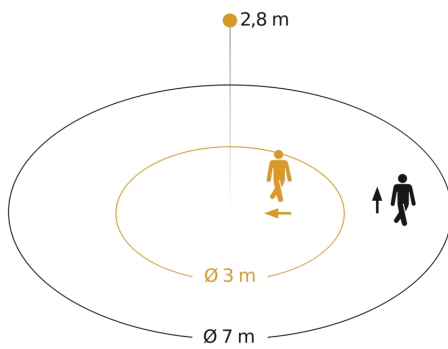
| | |
|--|----------------------|
| IP-rating | IP54 |
| Ambient temperature | from -20 up to 50 °C |
| Material | Plastic |
| Mains power supply | 230 V / 50 – 60 Hz |
| Switching output 1, resistive | 2000 W |
| Switching output 1, number of LEDs / fluorescent lamps | 50 pcs. |
| Fluorescent lamps, electronic ballast | 350 W |
| Fluorescent lamps, uncorrected | 500 VA |
| Fluorescent lamps, series-corrected | 500 VA |
| Fluorescent lamps, parallel-corrected | 500 VA |
| Switching output 1, low-voltage halogen lamps | 1000 VA |
| LED lamps < 2 W | 100 W |
| LED lamps > 2 W < 8 W | 175 W |

| | |
|----------------------------|-----------------|
| Basic light level function | No |
| Main light adjustable | No |
| Twilight setting TEACH | No |
| Constant-lighting control | No |
| Interconnection | Yes |
| Type of interconnection | Master/master |
| Interconnection via | Cable |
| Interconnection, number | max 5 sensors |
| Product category | Motion detector |

IS 2360 ECO 7m

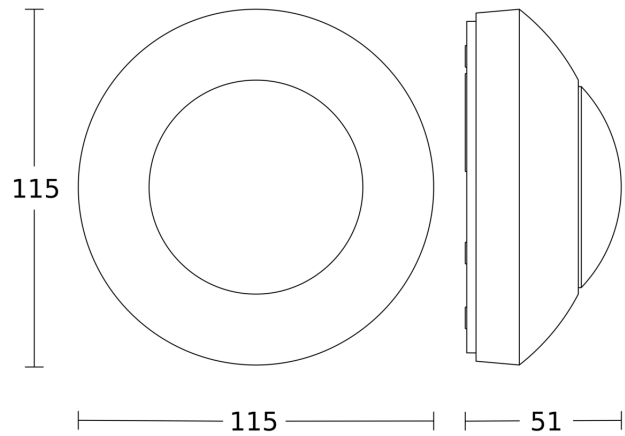
white
EAN 4007841 006556
Article number 006556

Detection Zone



Possible mounting height: 2,00 m - 4,00 m
Orange: radial
Black: tangential

Dimension Drawing



Circuit diagram

