

IS 2160 ECO

black
 EAN 4007841 605919
 Article number 605919



infrared sensor
160°



max. 10 m

600 W

600W max.



IP54



40° horizontal, 70°
vertical



2 - 2000 lux



8 sec - 35 min



Ideal 2 m



energy saving

5 years

manufacturer's
warranty steinel-
professional.de/
garantie

Function description

This one sees everything. Infrared motion detector IS 2160 ECO for indoors and out, ideal for entrances and the smaller-size property, ideal installation height 2 m, 160° angle of coverage, max. reach 12 m (tangential), selectable time and twilight threshold, turns through 40° and tilts through 70°.

Technical specifications

Dimensions (L x W x H)	73 x 78 x 113 mm
Manufacturer's Warranty	5 years
Settings via	Potentiometers
With remote control	No
Version	black
PU1, EAN	4007841605919
Type	Motion detectors
Application, place	Outdoors, Indoors
Application, room	outdoors, front door, all round the building, terrace / balcony, courtyard & driveway
Colour	black
Colour, RAL	9005
Includes corner wall mount	No
Installation site	wall
Installation	Surface wiring, Wall
IP-rating	IP54
Ambient temperature	-20 – 50 °C

LED lamps > 8 W	250 W
Capacitive load in µF	88 µF
Technology, sensors	passive infrared, Light sensor
Mounting height	1,80 – 3,00 m
Mounting height max.	3,00 m
Optimum mounting height	2 m
Detection angle	160 °
Angle of aperture	40 °
Sneak-by guard	No
Capability of masking out individual segments	Yes
Electronic scalability	No
Mechanical scalability	No
Reach, radial	r = 3 m (13 m ²)
Reach, tangential	r = 12 m (201 m ²)
Switching zones	260 switching zones
Twilight setting	2 – 2000 lx
Time setting	8 s – 35 Min.

IS 2160 ECO

black
EAN 4007841 605919
Article number 605919



Technical specifications

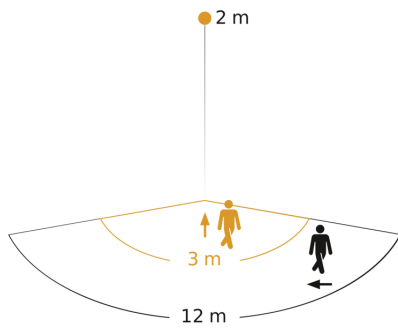
Material	Plastic
Mains power supply	230 – 240 V / 50 Hz
Switching output 1, resistive	600 W
Fluorescent lamps, electronic ballast	250 W
Fluorescent lamps, uncorrected	500 VA
Fluorescent lamps, series-corrected	500 VA
Fluorescent lamps, parallel-corrected	500 VA
Switching output 1, low-voltage halogen lamps	500 VA
LED lamps < 2 W	100 W
LED lamps > 2 W < 8 W	125 W

Basic light level function	No
Main light adjustable	No
Twilight setting TEACH	No
Constant-lighting control	No
Interconnection	Yes
Type of interconnection	Master/master
Interconnection via	Cable
Product category	Motion detector

IS 2160 ECO

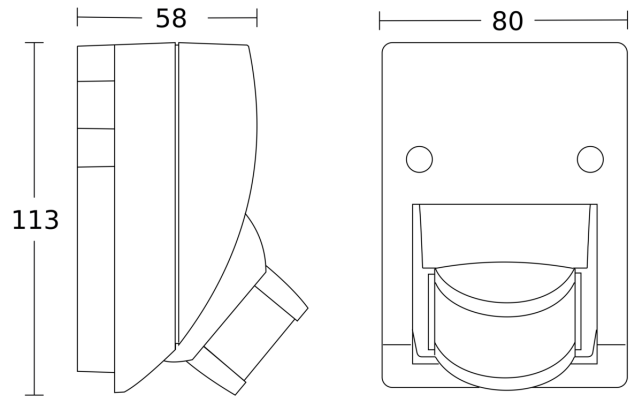
black
EAN 4007841 605919
Article number 605919

Detection Zone



Possible mounting height: 1,80 m - 3,00 m
Orange: radial
Black: tangential

Dimension Drawing



Circuit diagram

